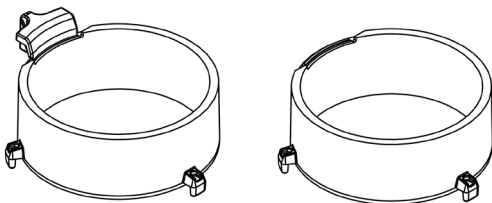
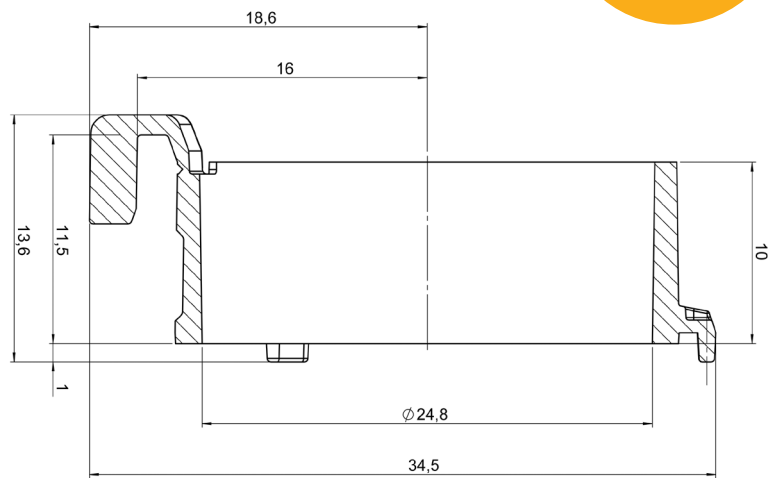
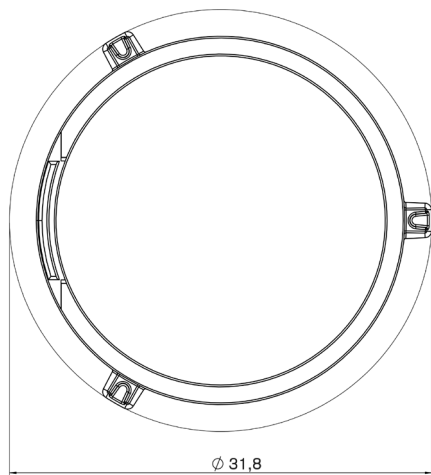


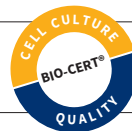
Cell culture insert for 6-well plates 782740

PRODUCT
INFORMATION



Dimensions in mm

Volume	0.5 - 3.2 ml
Material	Polystyrene, medical grade
Quality	BIO-CERT® CELL CULTURE QUALITY

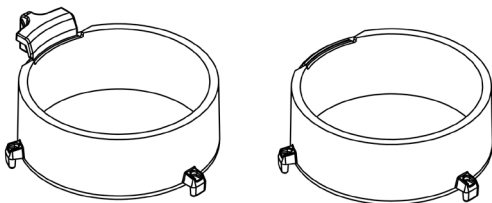
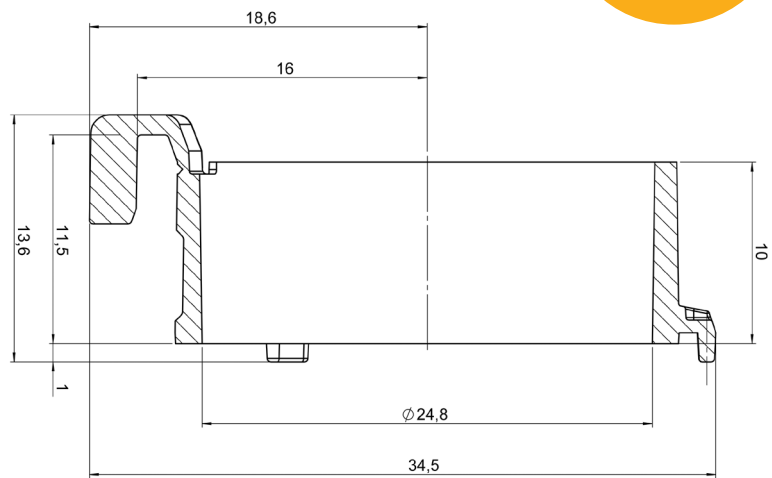
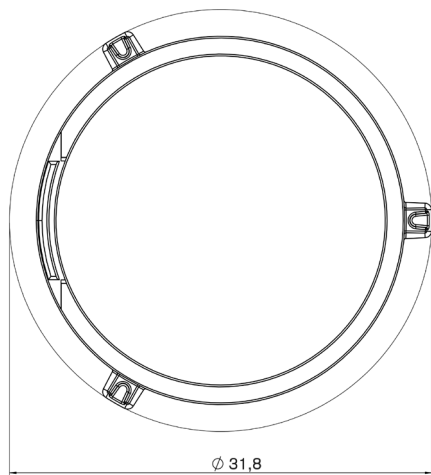


Membrane properties

Material	Polycarbonate
Thickness	10 µm
Pore size	0.4 µm
Pore density	1 x 10 ⁸ /cm ² , translucent
Culture area	ca. 4.8 cm ²
Surface treatment	cellGrade™ plus

Subject to technical modification without notice. Errors excepted.

Cell culture insert for 6-well plates 782741



Dimensions in mm

Volume	0.5 - 3.2 ml
Material	Polystyrene, medical grade
Quality	BIO-CERT® CELL CULTURE QUALITY



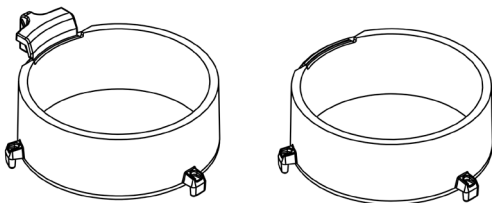
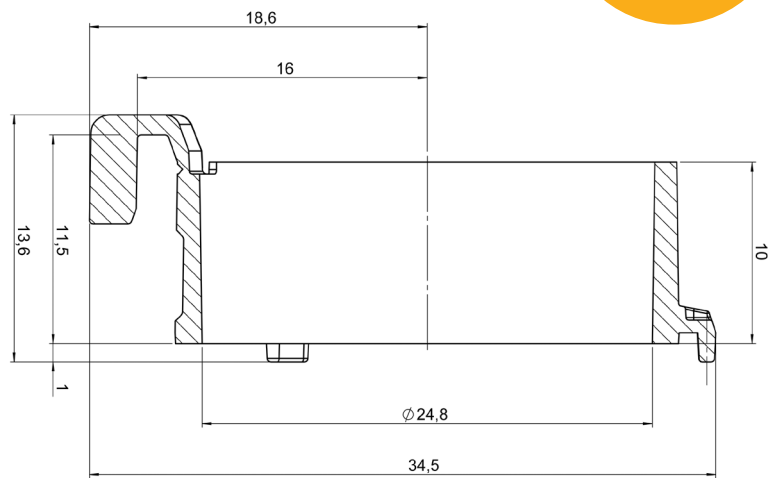
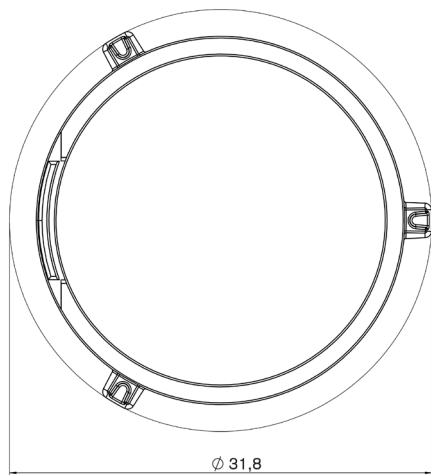
Membrane properties

Material	Polycarbonate
Thickness	10 µm
Pore size	0.4 µm
Pore density	1 x 10 ⁸ /cm ² , translucent
Culture area	ca. 4.8 cm ²
Surface treatment	cellGrade™ plus

Subject to technical modification without notice. Errors excepted.

Cell culture insert for 6-well plates 782746

PRODUCT
INFORMATION



Dimensions in mm

Volume	0.5 - 3.2 ml
Material	Polystyrene, medical grade
Quality	BIO-CERT® CELL CULTURE QUALITY



Membrane properties

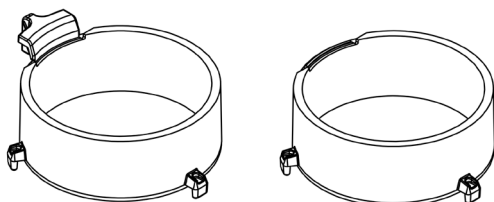
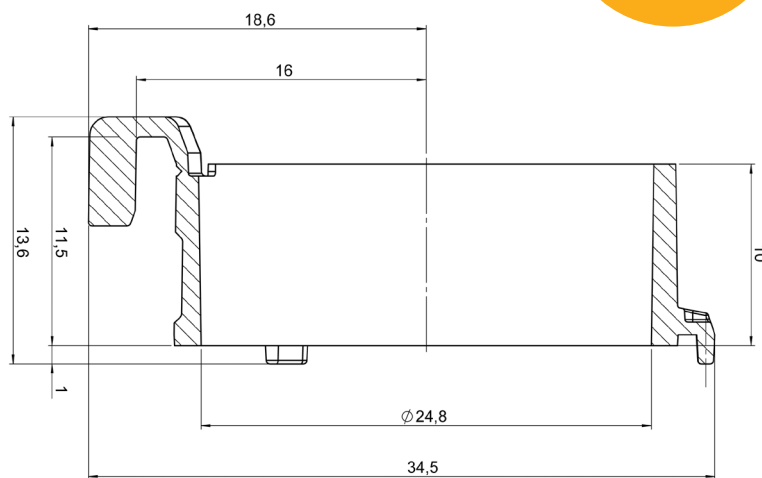
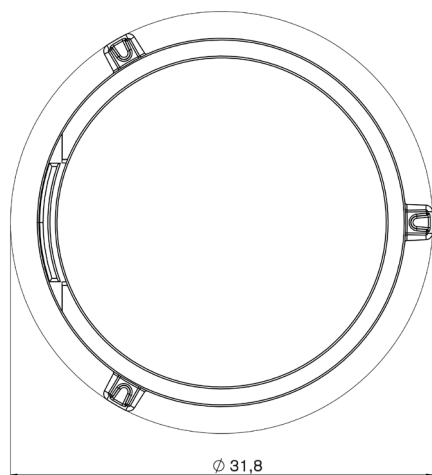
Material	Polycarbonate
Thickness	18 µm
Pore size	8.0 µm
Pore density	1 x 10 ⁵ /cm ² , translucent
Culture area	ca. 4.8 cm ²
Surface treatment	cellGrade™ plus

Subject to technical modification without notice. Errors excepted.

Cell culture insert for 6-well plates

782747

PRODUCT INFORMATION



Dimensions in mm

Volume	0.5 - 3.2 ml
Material	Polystyrene, medical grade
Quality	BIO-CERT® CELL CULTURE QUALITY



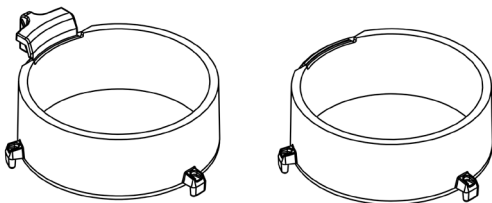
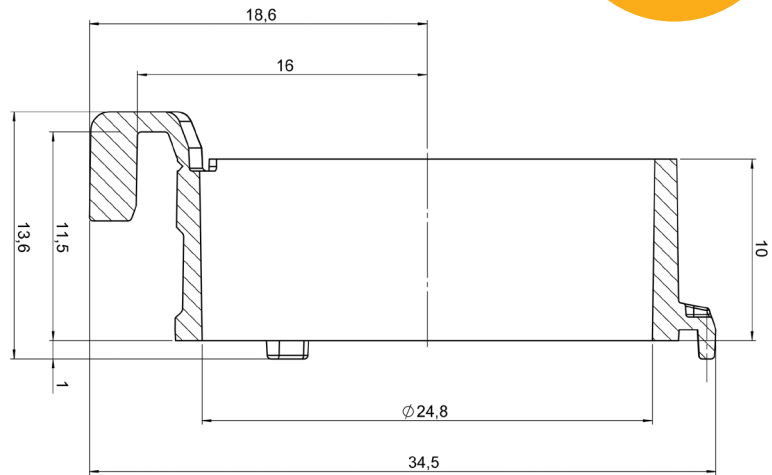
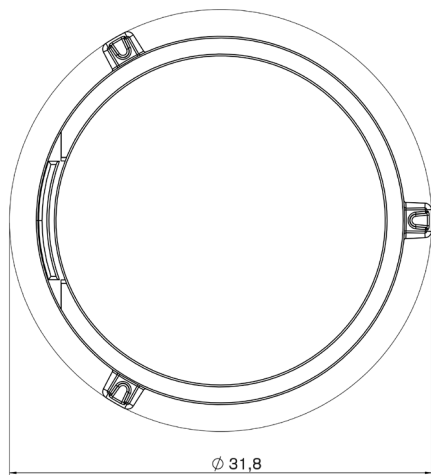
Membrane properties

Material	Polycarbonate
Thickness	18 µm
Pore size	8.0 µm
Pore density	1 x 10 ⁵ /cm ² , translucent
Culture area	ca. 4.8 cm ²
Surface treatment	cellGrade™ plus

Subject to technical modification without notice. Errors excepted.

Cell culture insert for 6-well plates 782750

PRODUCT
INFORMATION



Dimensions in mm

Volume	0.5 - 3.2 ml
Material	Polystyrene, medical grade
Quality	BIO-CERT® CELL CULTURE QUALITY



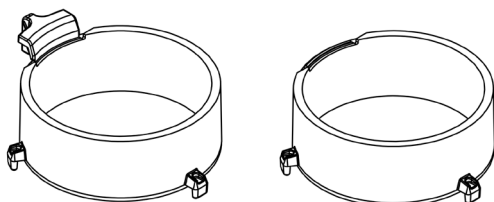
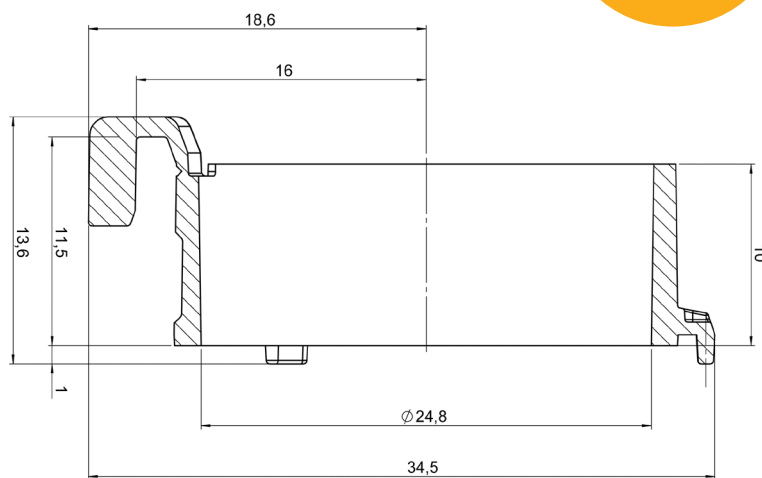
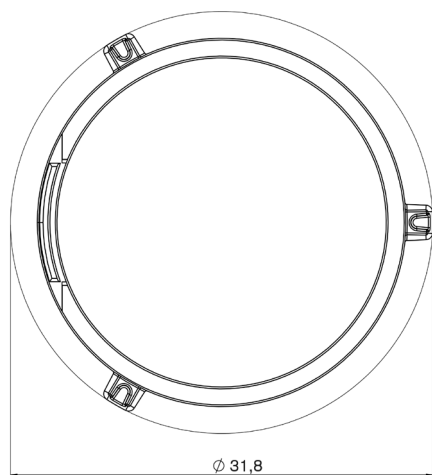
Membrane properties

Material	Polyethylenterephthalate
Thickness	12 µm
Pore size	0.4 µm
Pore density	2 x 10 ⁶ /cm ² , translucent
Culture area	ca. 4.8 cm ²
Surface treatment	cellGrade™ plus

Subject to technical modification without notice. Errors excepted.

Cell culture insert for 6-well plates 782751

PRODUCT
INFORMATION



Dimensions in mm

Volume	0.5 - 3.2 ml
Material	Polystyrene, medical grade
Quality	BIO-CERT® CELL CULTURE QUALITY



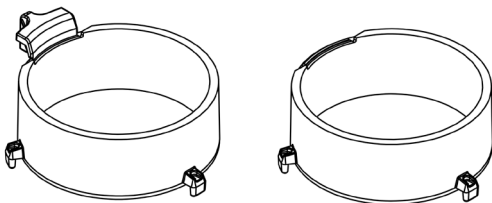
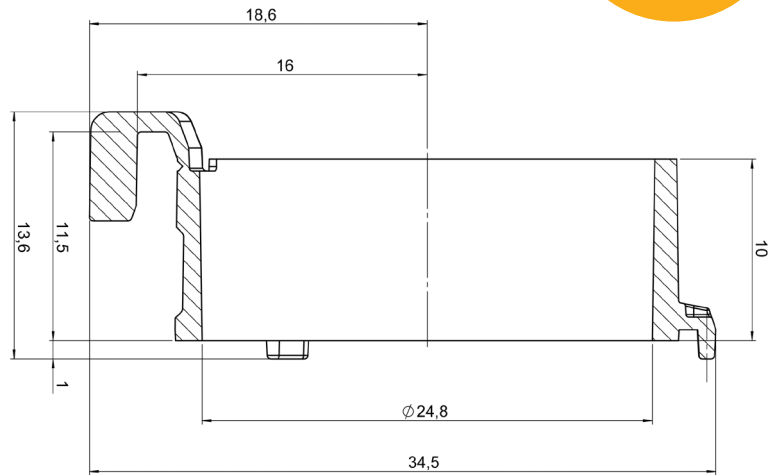
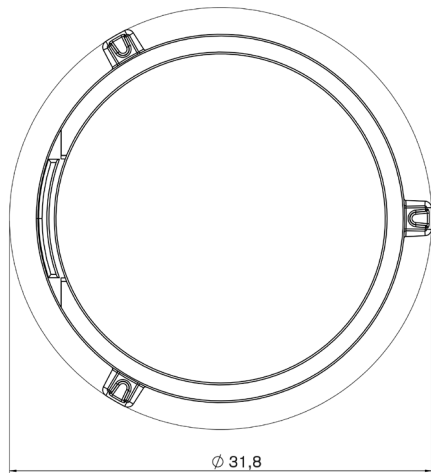
Membrane properties

Material	Polyethylenterephthalate
Thickness	12 µm
Pore size	0.4 µm
Pore density	2 x 10 ⁶ /cm ² , translucent
Culture area	ca. 4.8 cm ²
Surface treatment	cellGrade™ plus

Subject to technical modification without notice. Errors excepted.

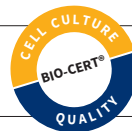
Cell culture insert for 6-well plates 782752

PRODUCT
INFORMATION



Dimensions in mm

Volume	0.5 - 3.2 ml
Material	Polystyrene, medical grade
Quality	BIO-CERT® CELL CULTURE QUALITY



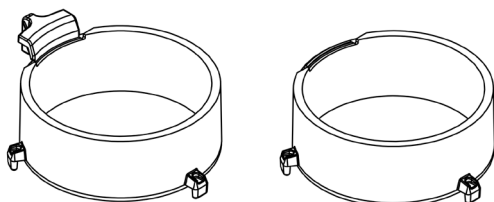
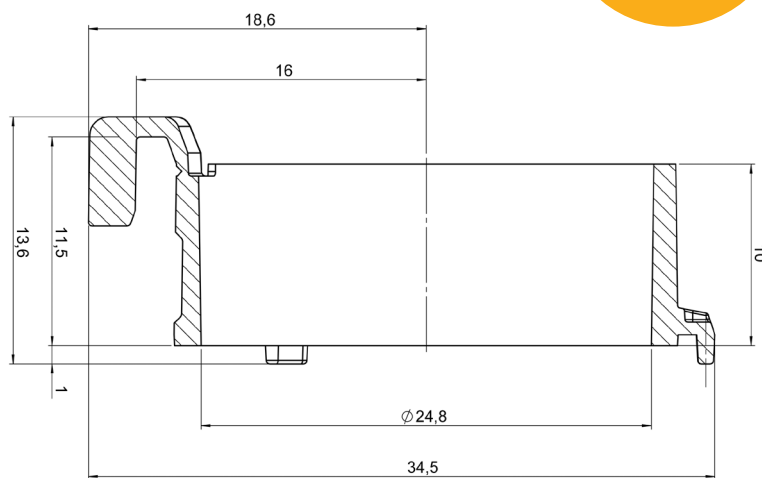
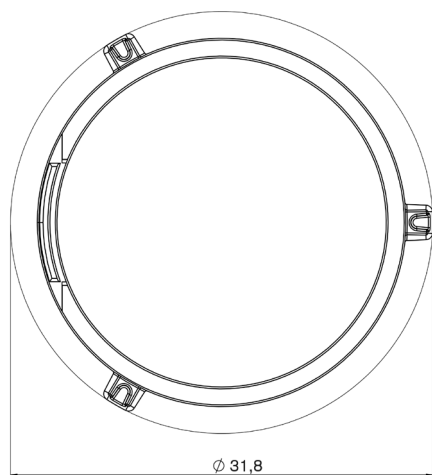
Membrane properties

Material	Polyethylenterephthalate
Thickness	11 µm
Pore size	1.0 µm
Pore density	1.6 x 10 ⁶ /cm ² , translucent
Culture area	ca. 4.8 cm ²
Surface treatment	cellGrade™ plus

Subject to technical modification without notice. Errors excepted.

Cell culture insert for 6-well plates

782753



Dimensions in mm

Volume	0.5 - 3.2 ml
Material	Polystyrene, medical grade
Quality	BIO-CERT® CELL CULTURE QUALITY



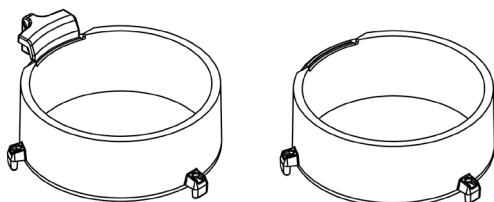
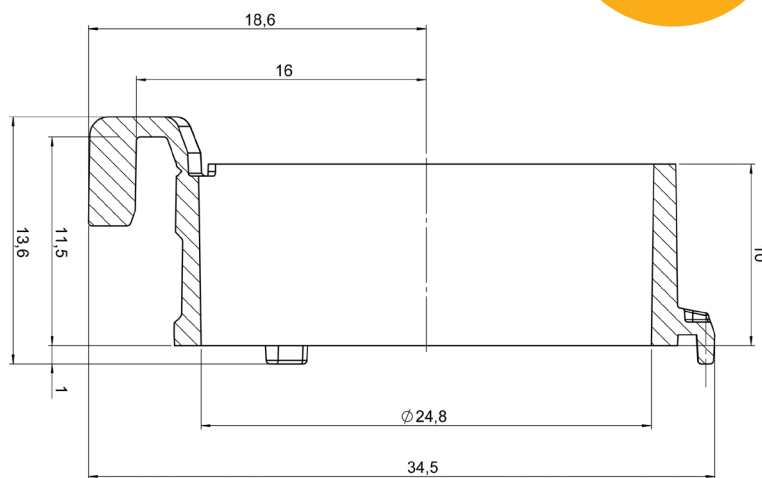
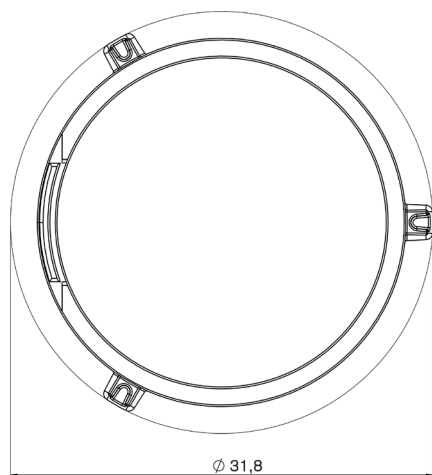
Membrane properties

Material	Polyethylenterephthalate
Thickness	11 µm
Pore size	1.0 µm
Pore density	1.6 x 10 ⁶ /cm ² , translucent
Culture area	ca. 4.8 cm ²
Surface treatment	cellGrade™ plus

Subject to technical modification without notice. Errors excepted.

Cell culture insert for 6-well plates

782754



Dimensions in mm

Volume	0.5 - 3.2 ml
Material	Polystyrene, medical grade
Quality	BIO-CERT® CELL CULTURE QUALITY



Membrane properties

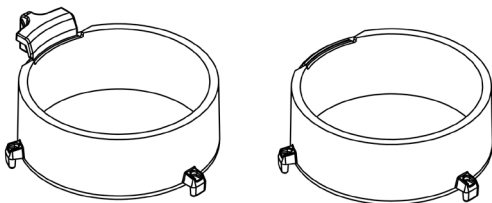
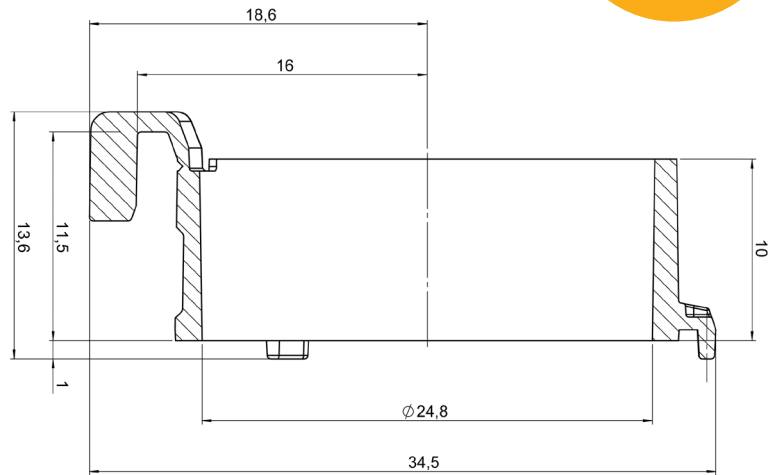
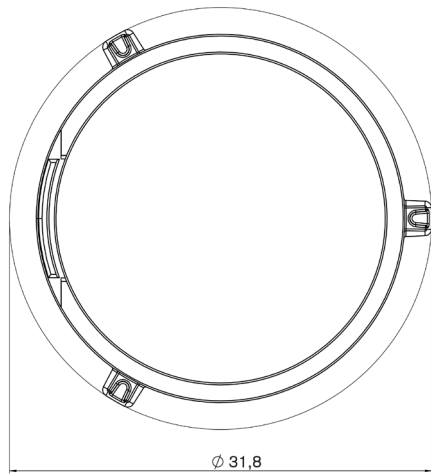
Material	Polyethylenterephthalate
Thickness	20 µm
Pore size	3.0 µm
Pore density	1.6 x 10 ⁶ /cm ² , translucent
Culture area	ca. 4.8 cm ²
Surface treatment	cellGrade™ plus

Subject to technical modification without notice. Errors excepted.

Cell culture insert for 6-well plates

782755

PRODUCT INFORMATION



Dimensions in mm

Volume	0.5 - 3.2 ml
Material	Polystyrene, medical grade
Quality	BIO-CERT® CELL CULTURE QUALITY

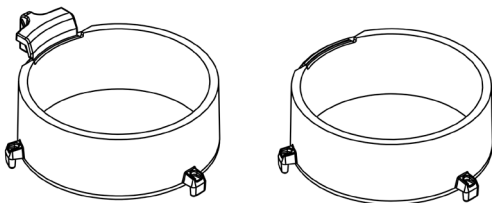
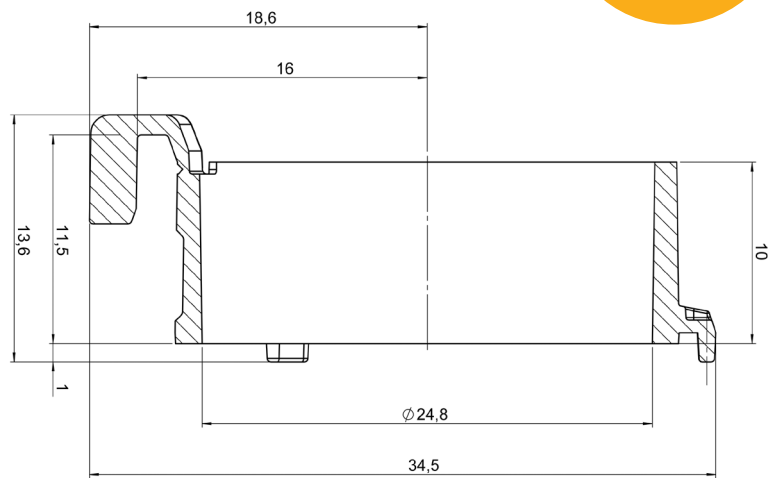
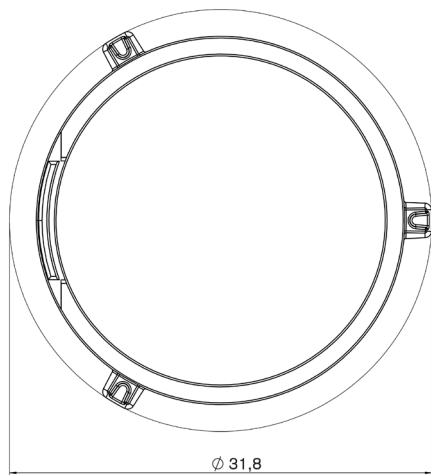


Membrane properties

Material	Polyethylenterephthalate
Thickness	20 µm
Pore size	3.0 µm
Pore density	1.6 x 10 ⁶ /cm ² , translucent
Culture area	ca. 4.8 cm ²
Surface treatment	cellGrade™ plus

Subject to technical modification without notice. Errors excepted.

Cell culture insert for 6-well plates 782756



Dimensions in mm

Volume	0.5 - 3.2 ml
Material	Polystyrene, medical grade
Quality	BIO-CERT® CELL CULTURE QUALITY



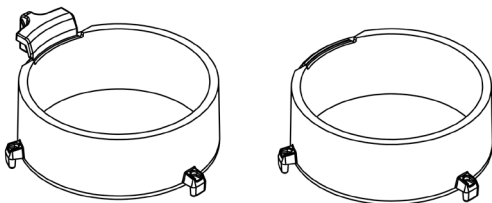
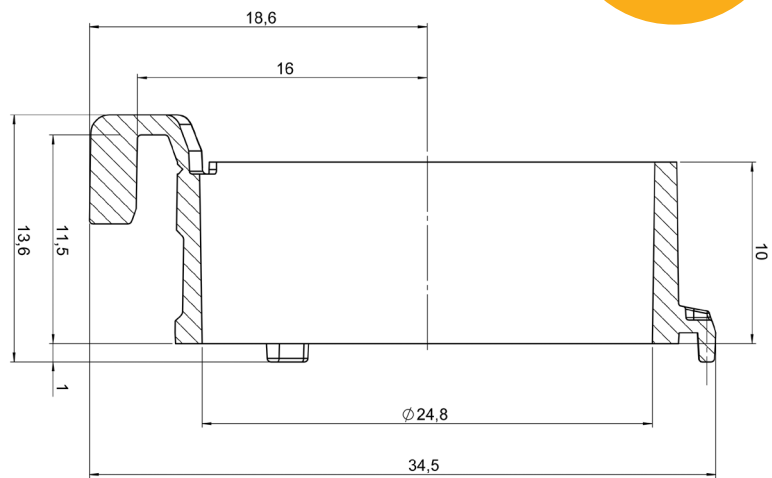
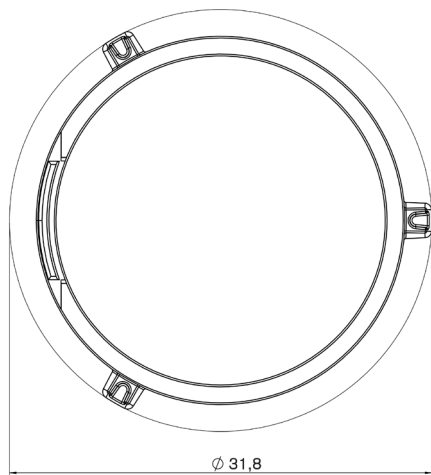
Membrane properties

Material	Polyethylenterephthalate
Thickness	16 µm
Pore size	8.0 µm
Pore density	2 x 10 ⁵ /cm ² , translucent
Culture area	ca. 4.8 cm ²
Surface treatment	cellGrade™ plus

Subject to technical modification without notice. Errors excepted.

Cell culture insert for 6-well plates 782757

PRODUCT
INFORMATION



Dimensions in mm

Volume	0.5 - 3.2 ml
Material	Polystyrene, medical grade
Quality	BIO-CERT® CELL CULTURE QUALITY



Membrane properties

Material	Polyethylenterephthalate
Thickness	16 µm
Pore size	8.0 µm
Pore density	2 x 10 ⁵ /cm ² , translucent
Culture area	ca. 4.8 cm ²
Surface treatment	cellGrade™ plus

Subject to technical modification without notice. Errors excepted.