



BRAND GMBH + CO KG

705702/705732

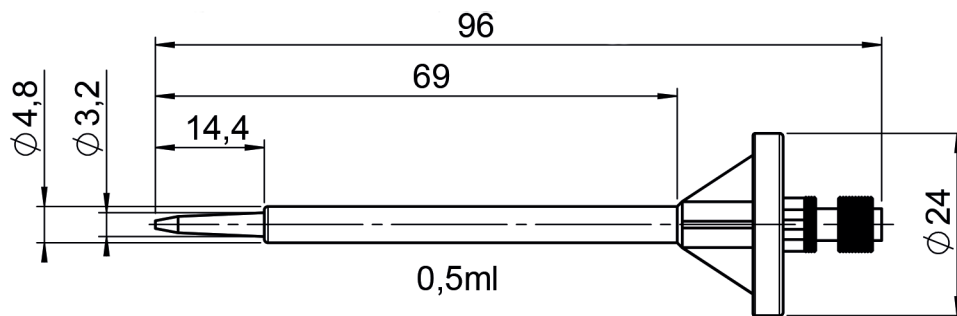
0.5 ml Precision dispenser tips PD-Tips //

Material: Cylinder: polypropylene, piston: PE-HD

Version: Non-sterile and BIO-CERT®

Volumen: 0.5 ml

Dimensions (in mm):





BRAND GMBH + CO KG

705704/705734

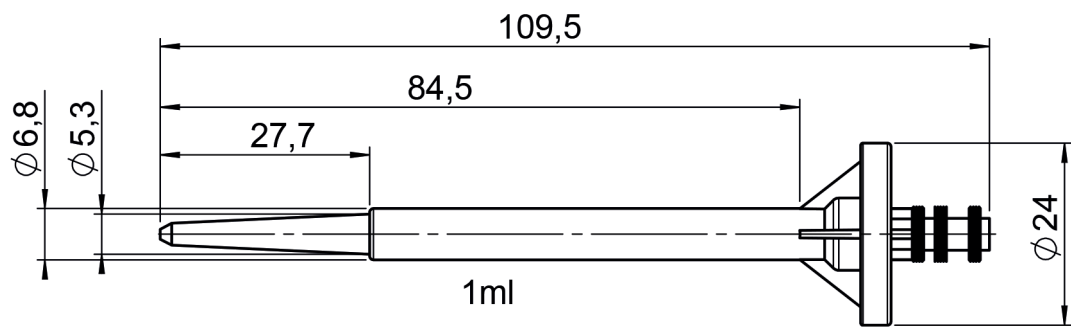
1 ml Precision dispenser tips PD-Tips //

Material: Cylinder: polypropylene, piston: PE-HD

Version: Non-sterile and BIO-CERT®

Volumen: 1 ml

Dimensions (in mm):





BRAND GMBH + CO KG

705706/705736

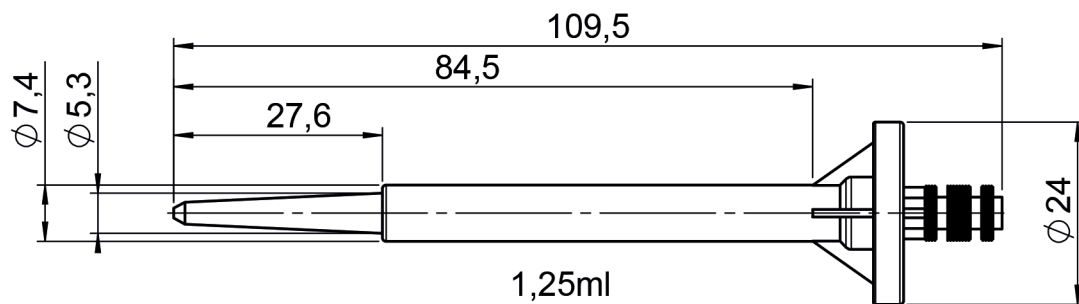
1.25 ml Precision dispenser tips PD-Tips //

Material: Cylinder: polypropylene, piston: PE-HD

Version: Non-sterile and BIO-CERT®

Volumen: 1.25 ml

Dimensions (in mm):





BRAND GMBH + CO KG

705708/705738

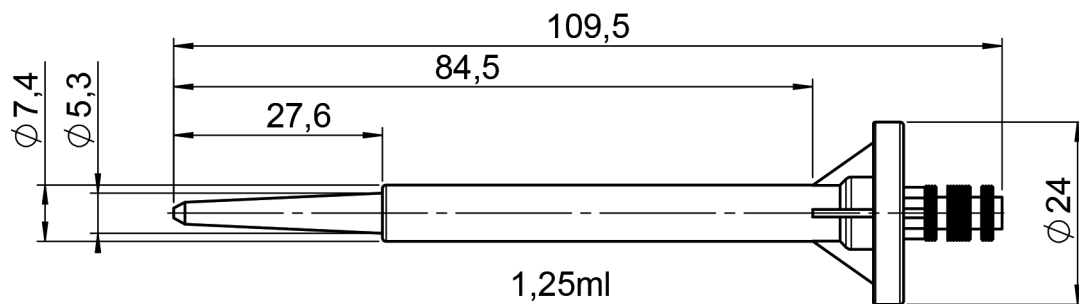
2.5 ml Precision dispenser tips PD-Tips //

Material: Cylinder: polypropylene, piston: PE-HD

Version: Non-sterile and BIO-CERT®

Volumen: 2.5 ml

Dimensions (in mm):





BRAND GMBH + CO KG

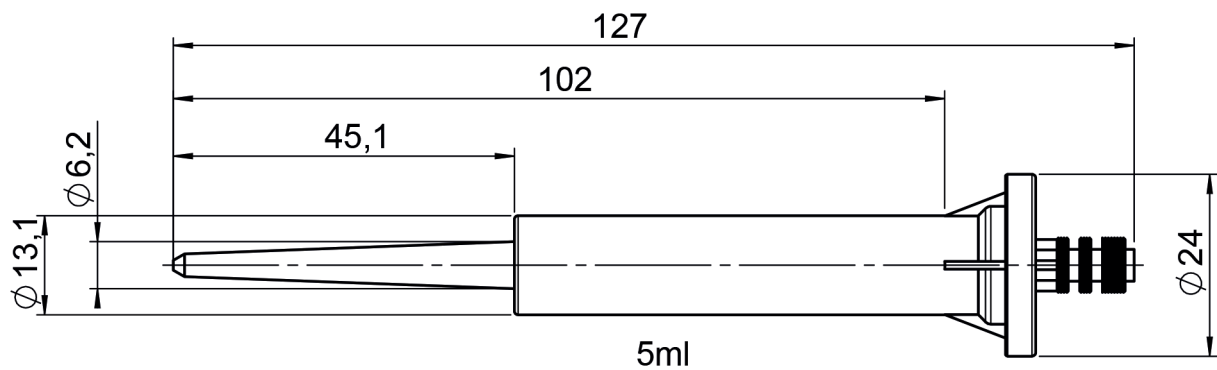
705710/705740
5 ml Precision dispenser tips PD-Tips //

Material: Cylinder: polypropylene, piston: PE-HD

Version: Non-sterile and BIO-CERT®

Volumen: 5 ml

Dimensions (in mm):





BRAND GMBH + CO KG

705712/705742

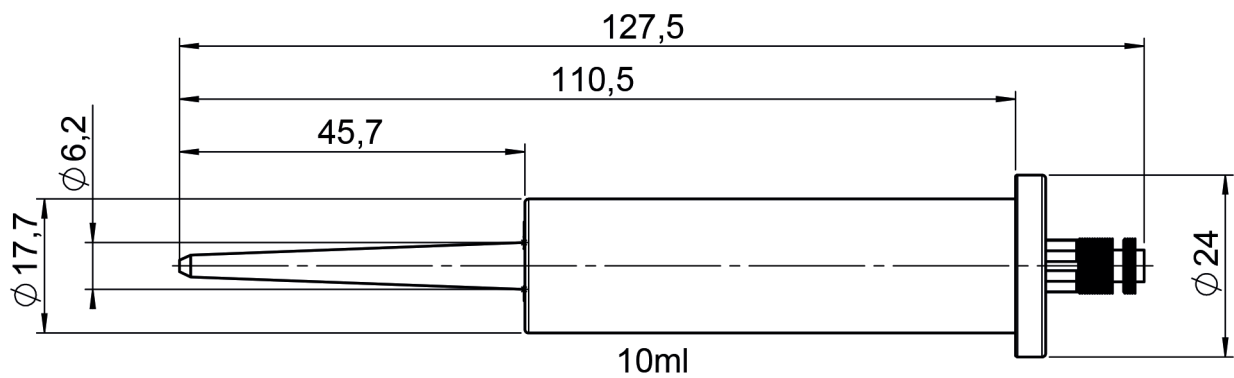
10 ml Precision dispenser tips PD-Tips //

Material: Cylinder: polypropylene, piston: PE-HD

Version: Non-sterile and BIO-CERT®

Volumen: 10 ml

Dimensions (in mm):





BRAND GMBH + CO KG

705714/705744

12,5 ml Precision dispenser tips PD-Tips //

Material: Cylinder: polypropylene, piston: PE-HD

Version: Non-sterile and BIO-CERT®

Volumen: 12.5 ml

Dimensions (in mm):

